



SPARE PARTS EXPLODED VIEW  
STORAGE ELECTRIC WATER HEATERS

Model

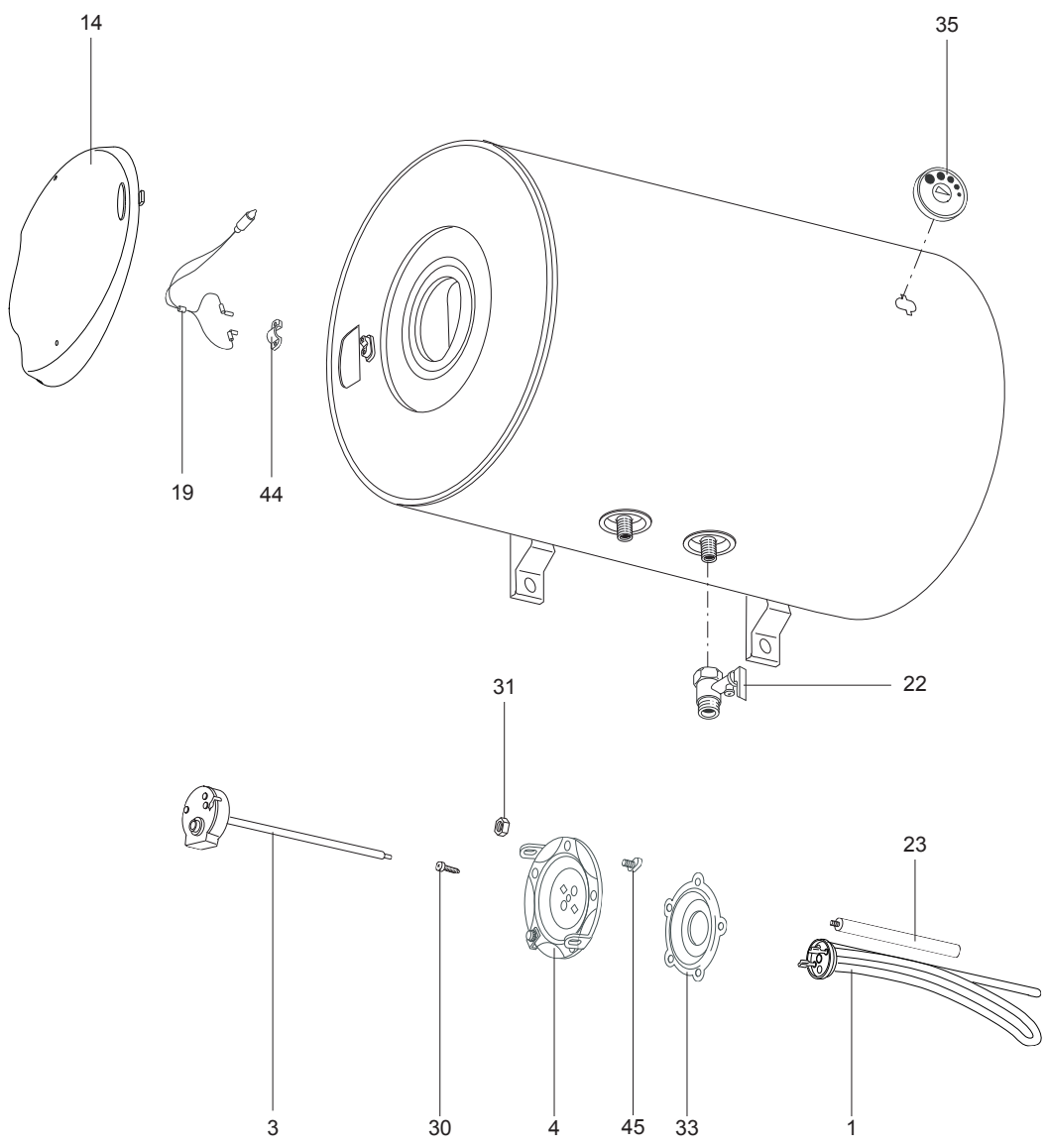
**TI H EE**

R8216871-01 - 16/10/2012

TI H EE

Storage Electric Water Heaters

|     |           |             |         |         |
|-----|-----------|-------------|---------|---------|
| 1   | 869385    | TI 80 H EE  | 02-2000 | 09-2005 |
| 1   | 869386    | TI 100 H EE | 02-2000 | 09-2005 |
| Col | Reference | Model type  | Begin   | End     |





## LIST OF THE ABBREVIATIONS

|             |  |
|-------------|--|
| HW .....    | : Hot water.                                   |
| CW .....    | : Cold water.                                  |
| C .....     | : Ceramic resistance (normal heating).         |
| Ca .....    | : Ceramic resistance (accelerated heating)     |
| TP .....    | : Immersion heater.                            |
| 1F .....    | : With fittings.                               |
| 2F .....    | : Without fittings.                            |
| 3F .....    | : With fittings and another outlet connection. |
| AMI .....   | : With mixing valve.                           |
| SMI .....   | : Without mixing valve.                        |
| PUISS ..... | : Power of th appliance.                       |
| PN .....    | : Appliance with normal pression.              |
| LP .....    | : Appliance with low pression.                 |
| PV .....    | : Appliance with variable power.               |
| PF .....    | : Appliance with fixed power.                  |

## IDENTIFICATION PLATE

### SERIAL NUMBER

|                        |         |    |        |         |  |
|------------------------|---------|----|--------|---------|--|
| <b>6 Characters :</b>  |         |    |        |         |  |
| Year of manufacture    | 03      | 09 | 08     |         | Manufacturing day<br>Month of manufacture                |
| <b>9 Characters :</b>  |         |    |        |         |  |
| Year of manufacture    | 5       | 9  | 12     | 0606    | Sequential number  |
| Month of manufacture   |         |    |        |         |  |
| <b>14 Characters :</b> |         |    |        |         |  |
| SI-V-0B0               | 45      | 07 | 0001   |         |  |
|                        |         |    |        |         | Sequential number  |
|                        |         |    |        |         | Year of manufacture : → 6 → 2004                         |
|                        |         |    |        |         | Month of manufacture : → 25 → January 43 → July 7 → 2005 |
|                        |         |    |        |         | 13 → February 29 → August 8 → 2006                       |
|                        |         |    |        |         | 32 → March 40 → September etc ...                        |
|                        |         |    |        |         | 35 → April 38 → October                                  |
|                        |         |    |        |         | 39 → May 51 → November                                   |
|                        |         |    |        |         | 45 → June 12 → December                                  |
| <b>15 Characters :</b> |         |    |        |         |  |
| Year of manufacture    | 02      | 11 | 00001  | 007843  | Code appareil  |
| Month of manufacture   |         |    |        |         | Sequential number  |
| <b>21 Characters :</b> |         |    |        |         |  |
| Product reference      | 3200050 | XX | 08115  | 0000001 | Sequential number  |
|                        |         |    |        |         | Year (08) / Manufacturing day (115)                      |
| <b>22 Characters :</b> |         |    |        |         |  |
| Product reference      | 3200050 | XX | 070115 | 0000001 | Sequential number  |
|                        |         |    |        |         | Year (07) / Month (01) / Manufacturing day (15)          |

The indications mentioned on the prices, commercial or technical literature and the scheme are written for your guidance and are available at a given time. The CONSTRUCTOR retains the power to modify the presentation, the form, the size, the conception or the material of the products.