



ARISTON

SPARE PARTS EXPLODED VIEW GAS-WALL BOILER ATM. BURNER

Model

BS II

R8203255-14 - 17/09/2019

BS II

Gas-wall boiler atm. burner

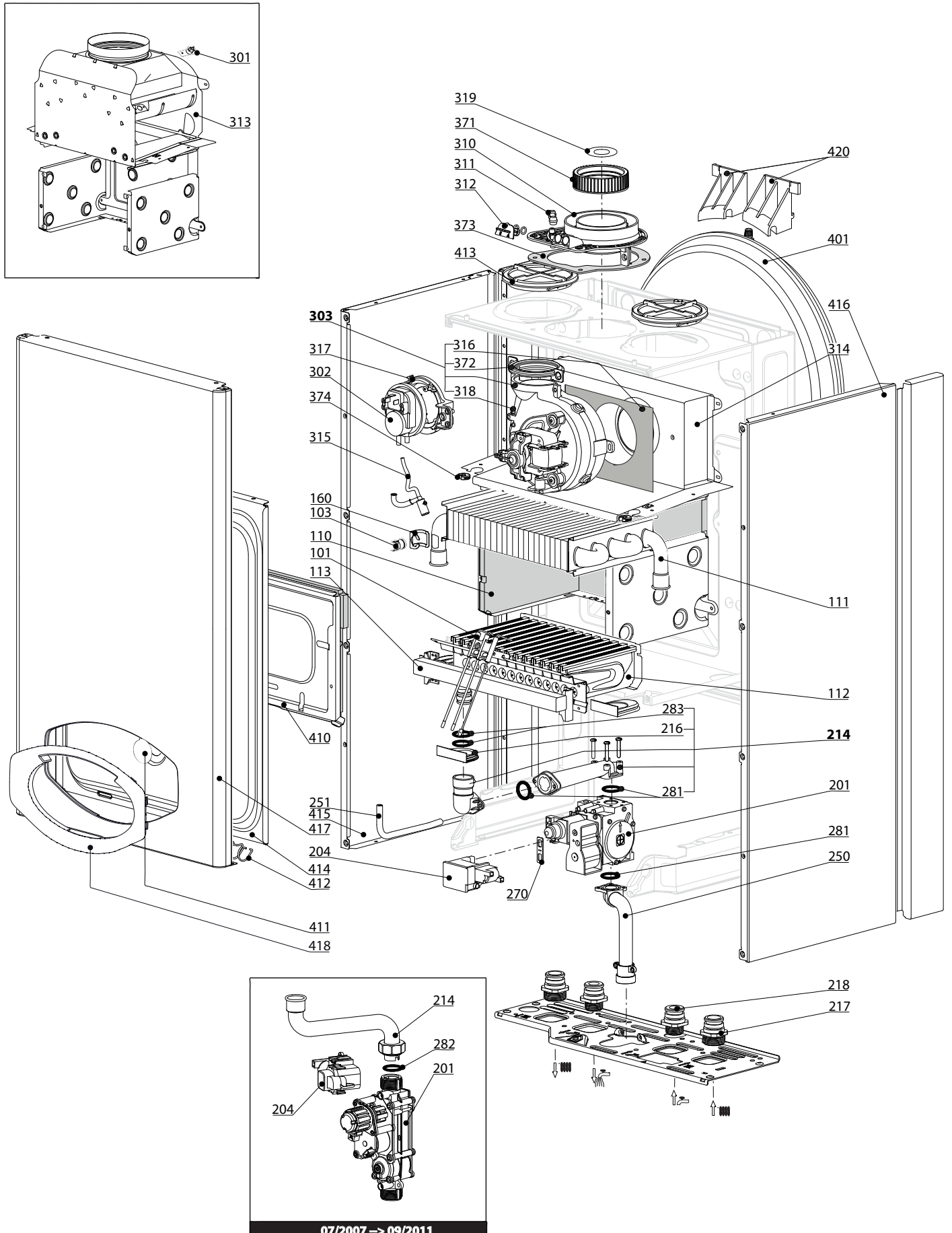
1	3300296	BS II 24 CF	10-2009	12-2011
1	3300438	BS II 24 CF NG	09-2011	09-2016
2	3300808	BS II 24 CF NG EU	10-2015	09-2018
3	3300419	BS II 15 FF	07-2011	12-2011
4	3300441	BS II 15 FF	09-2011	09-2016
5	3300295	BS II 24 FF	10-2009	12-2011
6	3300415	BS II 24 FF LPG	03-2011	12-2011
7	3300439	BS II 24 FF NG	11-2011	12-2016
8	3300440	BS II 24 FF LPG	11-2011	09-2016
9	3300571	BS II 24 FF	05-2013	05-2017

Col	Reference	Model type	Begin	End
-----	-----------	------------	-------	-----

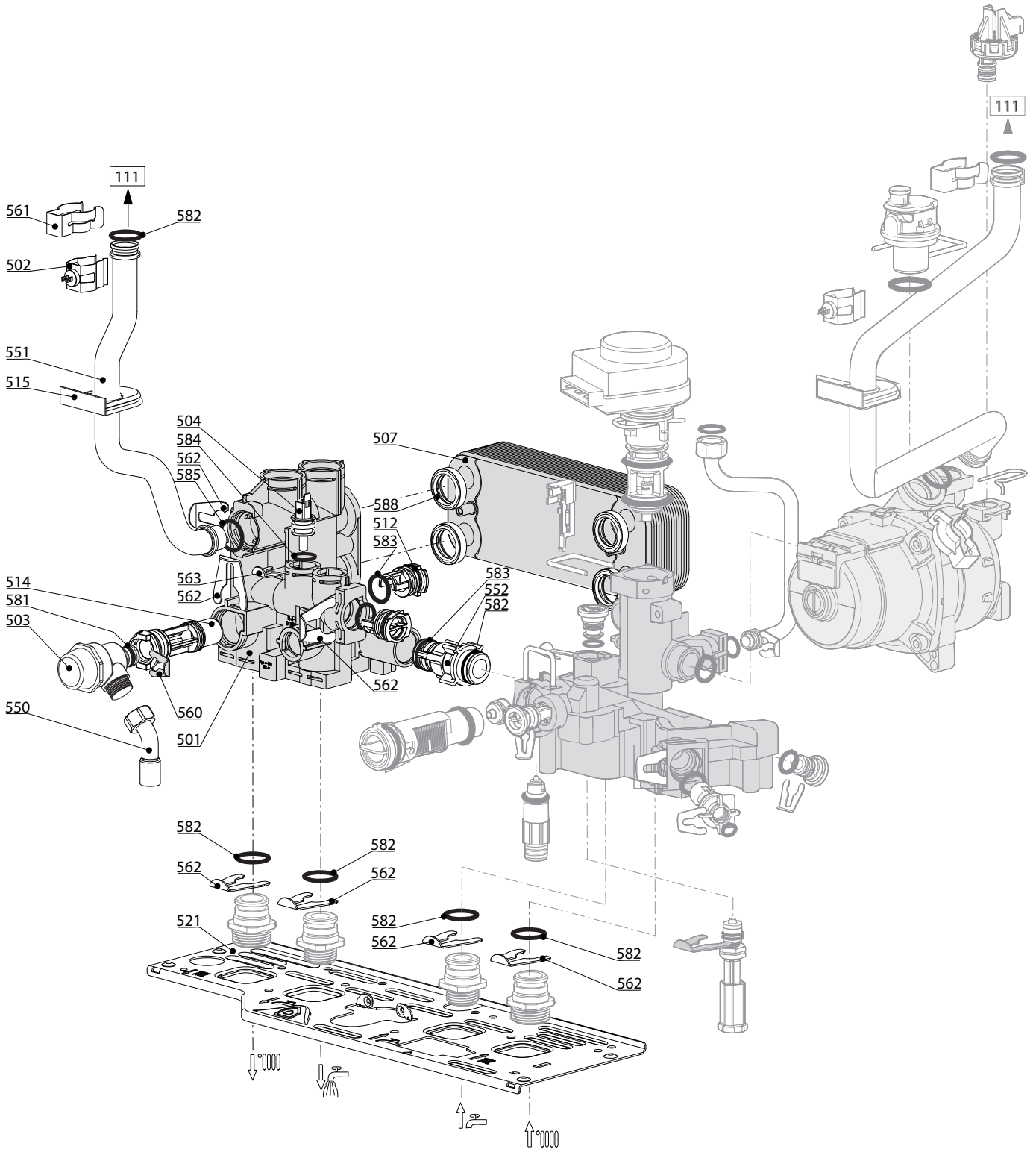
100
200
300
400

BS II

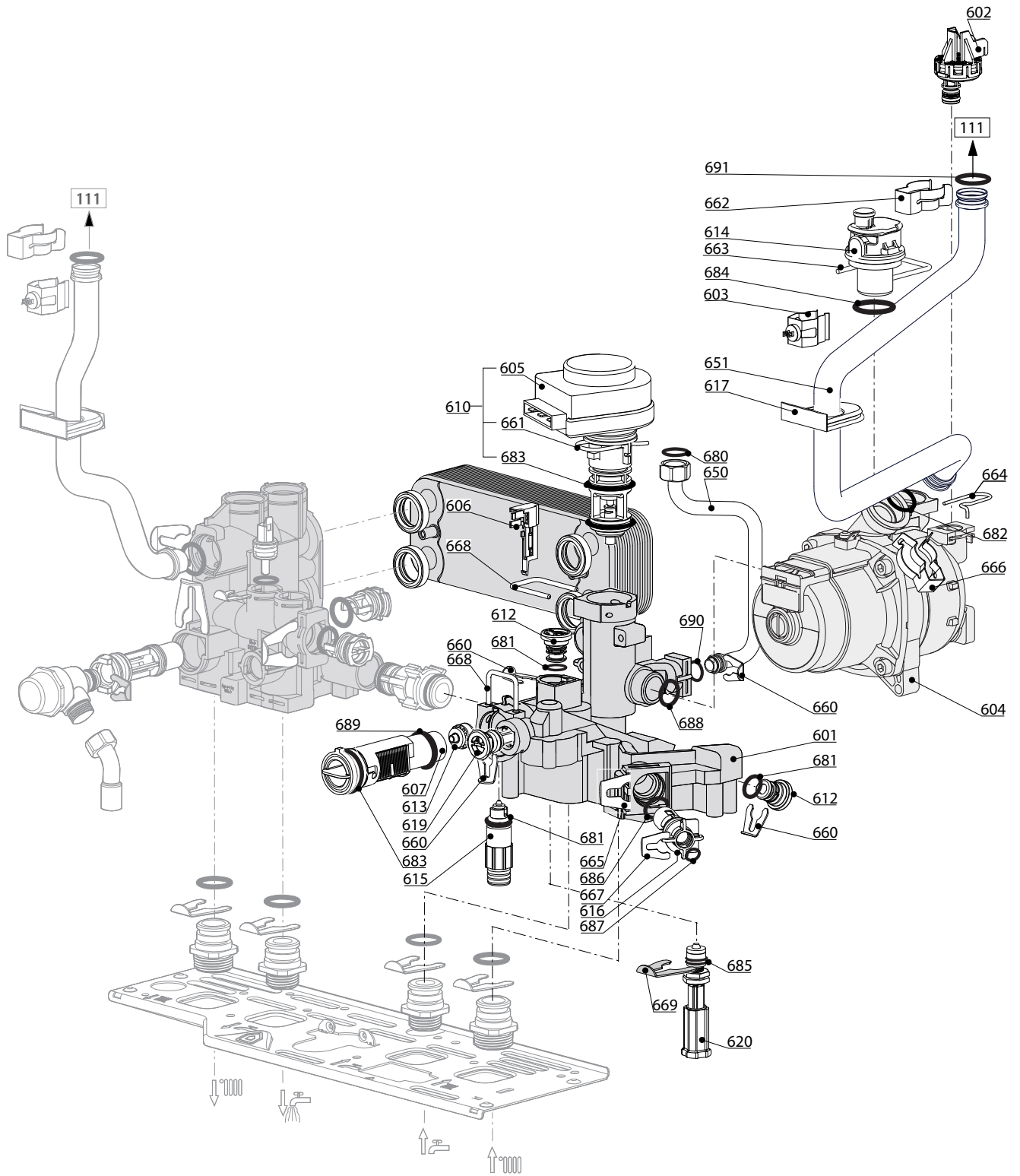
Gas-wall boiler atm. burner

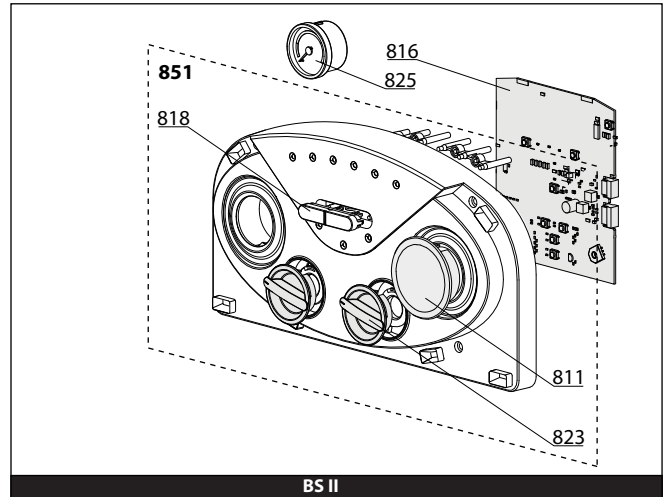
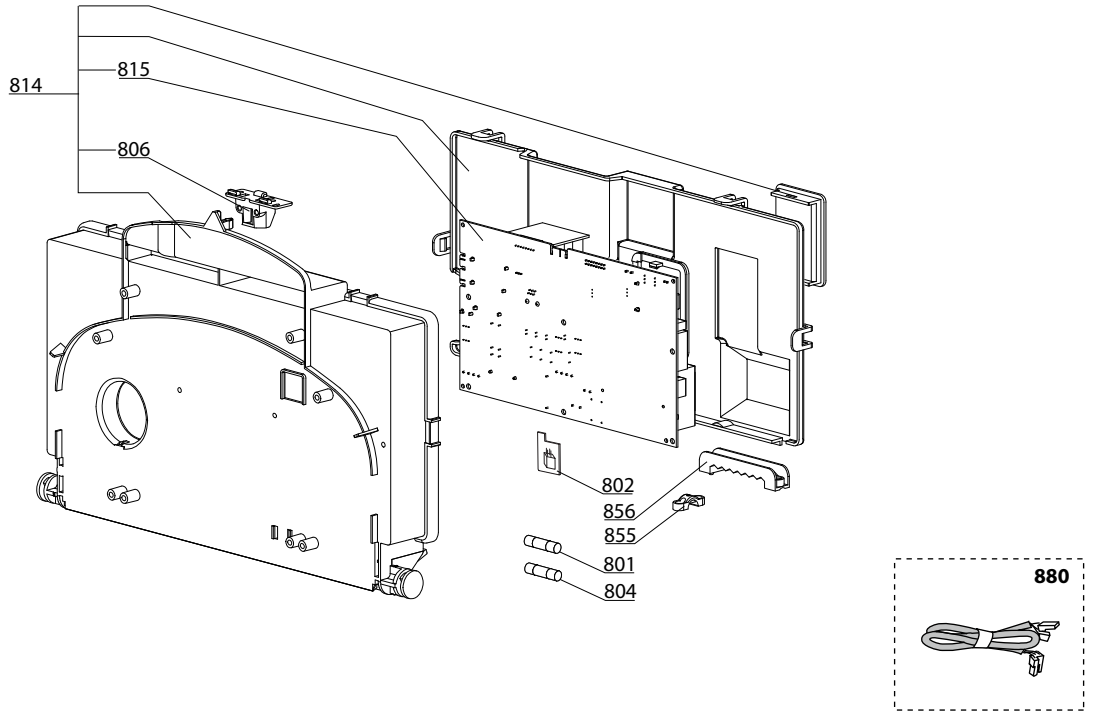


07/2007 -> 09/2011

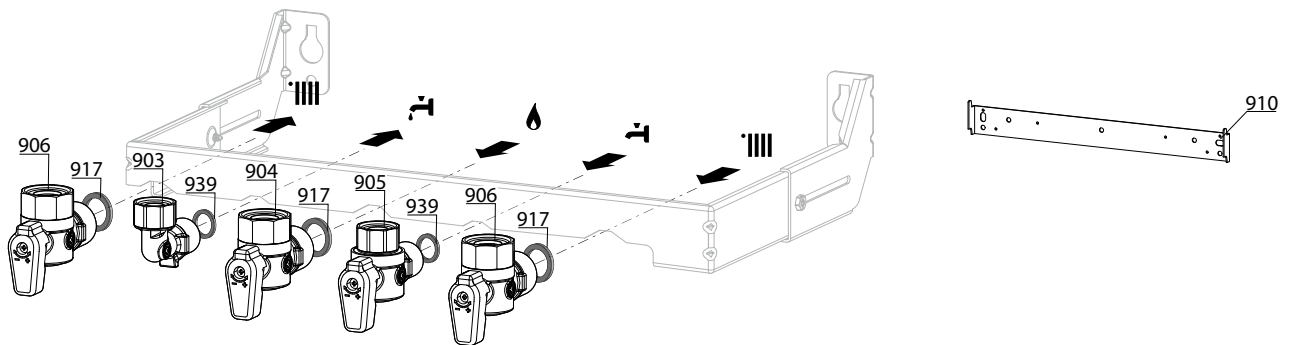


⊖⇒	Description	Manf. Pt. N	Type	BS II 24 CF BS II 24 CF - EU BS II 15 FF - 3300419 BS II 15 FF - 3300441 BS II 24 FF - 3300285 BS II 24 FF - 3300415 BS II 24 FF - 3300439 BS II 24 FF - 3300440 BS II 24 FF - 3300571																		
				1	2	3	4	5	6	7	8	9	10	11	12	13	14	15	16	17	18	From
0500	ГРУППА ПОДАЧИ																					
0501	ГРУППА ПОДАЧИ	60002320		●	●	●	●	●	●	●	●	●	●	●	●							
0502	ДАТЧИК ТЕМПЕРАТУРЫ + КЛИПСА	990686-01		●	●	●	●	●	●	●	●	●	●	●	●							
0503	ПРЕДОХРАНИТЕЛЬНЫЙ КЛАПАН (3 БАРА)	61312668		●	●	●	●	●	●	●	●	●	●	●	●							
0504	ДАТЧИК ТЕМПЕРАТУРЫ	65104338-01		●	●	●	●	●	●	●	●	●	●	●	●							
0507	ТЕПЛООБМЕННИК ГВС (16 ПЛАСТИН)	65104333		●	●	●	●	●	●	●	●	●	●	●	●							
0512	ЗАГЛУШКА	65104445		●	●	●	●	●	●	●	●	●	●	●	●							
0514	БАЙПАС	65104336		●	●	●	●	●	●	●	●	●	●	●	●							
0515	УПЛОТНЕНИЕ	60000808		●	●	●	●	●	●	●	●	●	●	●	●							
0521	ОСНОВАНИЕ ГИДРАВЛИЧЕСКОЙ ГРУППЫ	65104311		●	●	●	●	●	●	●	●	●	●	●	●							
0550	ПАТРУБОК ПРЕДОХРАНИТЕЛЬНОГО КЛАПАНА	60001955		●	●	●	●	●	●	●	●	●	●	●	●							
0551	ТРУБКА ПОДАЧИ ТЕПЛОНОСИТЕЛЯ (AL)	60001302	NOTE 2					●			●	●										
	ТРУБКА ПОДАЧИ ТЕПЛОНОСИТЕЛЯ (CU)	65104252	NOTE 1	●	●																	
	ТРУБКА ПОДАЧИ ТЕПЛОНОСИТЕЛЯ (CU)	65106309	NOTE 1			●	●	●	●	●	●	●	●	●	●							
0552	ПАТРУБОК БАЙПАСА	65104340		●	●	●	●	●	●	●	●	●	●	●	●							
0560	КЛИПСА D:10	65104260		●	●	●	●	●	●	●	●	●	●	●	●							
0561	КЛИПСА	61307589		●	●	●	●	●	●	●	●	●	●	●	●							
0562	КЛИПСА D:18	65104259		●	●	●	●	●	●	●	●	●	●	●	●							
0563	КЛИПСА D:12	65104339		●	●	●	●	●	●	●	●	●	●	●	●							
0581	O-КОЛЬЦО 17.96X2.62	65104337		●	●	●	●	●	●	●	●	●	●	●	●							
0582	O-КОЛЬЦО 17.86X2.62	61308091		●	●	●	●	●	●	●	●	●	●	●	●							
0583	O-КОЛЬЦО 15.54X2.62	65104325		●	●	●	●	●	●	●	●	●	●	●	●							
0584	O-КОЛЬЦО 11.91X2.62	60000850		●	●	●	●	●	●	●	●	●	●	●	●							
0585	O-КОЛЬЦО 17.04X3.53	65104262		●	●	●	●	●	●	●	●	●	●	●	●							
0588	ПРОКЛАДКА ТЕПЛООБМЕННИКА	65104334		●	●	●	●	●	●	●	●	●	●	●	●							





900



5000

- | | | |
|---|---|---|
| <p>5001
 Transf. gaz > GPL
 Conv. gas > GPL
 Trasn. gas > GPL
 Transf. gas > GPL</p> | <p>5002
 Transf. gaz > Nat
 Conv. gas > Nat
 Trasn. gas > Met
 Transf. gas > Met</p> | <p>5020
 Options
 Accessories
 Opzioni
 Accessorio</p> |
|---|---|---|

LIST OF THE ABBREVIATIONS

HW	: Hot water.
CW	: Cold water.
C	: Ceramic resistance (normal heating).
Ca	: Ceramic resistance (accelerated heating)
TP	: Immersion heater.
1F	: With fittings.
2F	: Without fittings.
3F	: With fittings and another outlet connection.
AMI	: With mixing valve.
SMI	: Without mixing valve.
PUISS	: Power of th appliance.
PN	: Appliance with normal pression.
LP	: Appliance with low pression.
PV	: Appliance with variable power.
PF	: Appliance with fixed power.

IDENTIFICATION PLATE

SERIAL NUMBER

10 Characters :	04 05 125 011	Sequential number
		Manufacturing day
		Year of manufacture
11 Characters :	1 95 065004 - 31	Technical number of the appliance
Month of manufacture : from 1 to 9 → Jan. to Sep., O → Oct., N → Nov., D → Dec.		Sequential number
		Year of manufacture
19 Characters :	08 05 0013199 900640031	Product reference
Year of manufacture		Sequential number
Month of manufacture		
20 Characters :	3675007 XX 2 07 070 00315	Sequential number
Product reference		Manufacturing day
Millenium of manufacture		Year of manufacture
21 Characters :	3675007 XX 07 070 0000315	Sequential number
Product reference		Manufacturing day
Year of manufacture		